

## 7. Parts catalog

### How to use this parts catalog

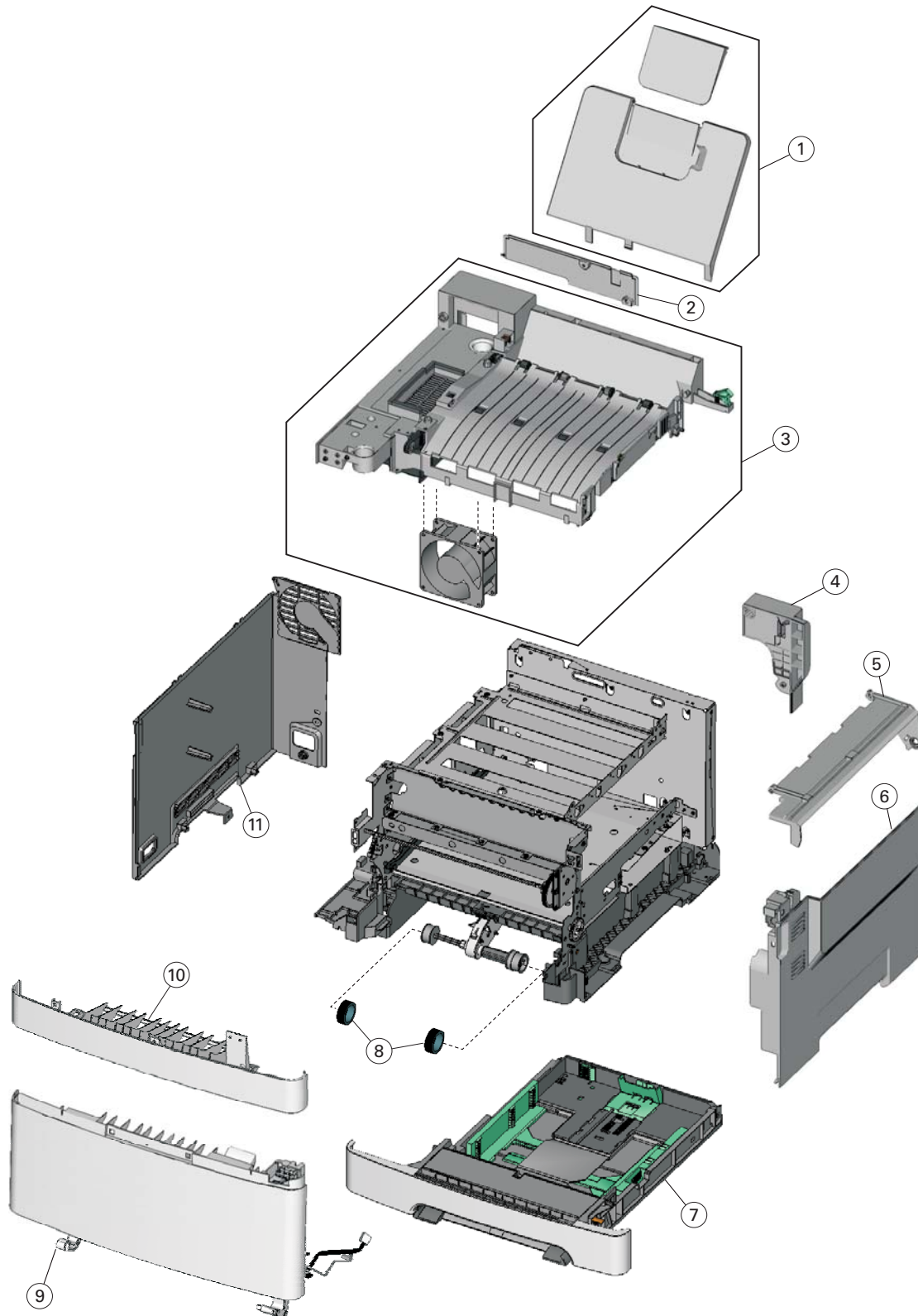
The following legend is used in the parts catalog:

Asm-index	Part number	Units/mach - OR - Units/option	Units/ FRU	Description
-----------	-------------	--------------------------------------	---------------	-------------

- **Asm-index:** Identifies the assembly and the item in the diagram. For example, 3-1 indicates Assembly 3 and item number 1 in the table.
- **Part number:** Identifies the unique number that identifies this FRU.
- **Units/mach:** Refers to the number of units actually used in the base machine or product.
- **Units/option:** Refers to the number of units in a particular option. It does not include the rest of the base machine.
- **Units/FRU:** Refers to the number of units packaged together and identified by the part number.
- **NS:** (Not shown) in the Asm-Index column indicates that the part is procurable but is not pictured in the illustration.
- **PP:** (Parts Packet) in the parts description column indicates the part is contained in a parts packet.
- Model information used in the parts catalog:

Machine type/model	Term used in parts	Product name	Description
7525-131	131	Lexmark X543dn	Network, duplex print
7525-133	133	Lexmark X543dn	Network, duplex print, DBCS op panel
7525-138	138	Lexmark X543dn	Network, duplex print, wireless
7525-356	356	Lexmark X544n	Duplex scan, fax
7525-352	352	Lexmark X544n	Duplex scan
7525-336 <sup>1</sup>	336	Lexmark X544dn	Duplex scan/print, fax
7525-332 <sup>1</sup>	332	Lexmark X544dn	Duplex scan/print,
7525-337 <sup>1</sup>	337	Lexmark X544dn	Duplex scan/print, fax, DBCS op panel
7525-333 <sup>1</sup>	333	Lexmark X544dn	Duplex scan/print, DBCS op panel
7525-386	386	Lexmark X544dw	Duplex scan/print, fax, wireless
7525-382	382	Lexmark X544dw	Duplex scan/print, wireless
7525-387	387	Lexmark X544dw	Duplex scan/print, fax, wireless, DBCS op panel
7525-383	383	Lexmark X544dw	Duplex scan/print, wireless, DBCS op panel
<sup>1</sup> A dtn version of this model is available. This version includes the 650-sheet tray.			

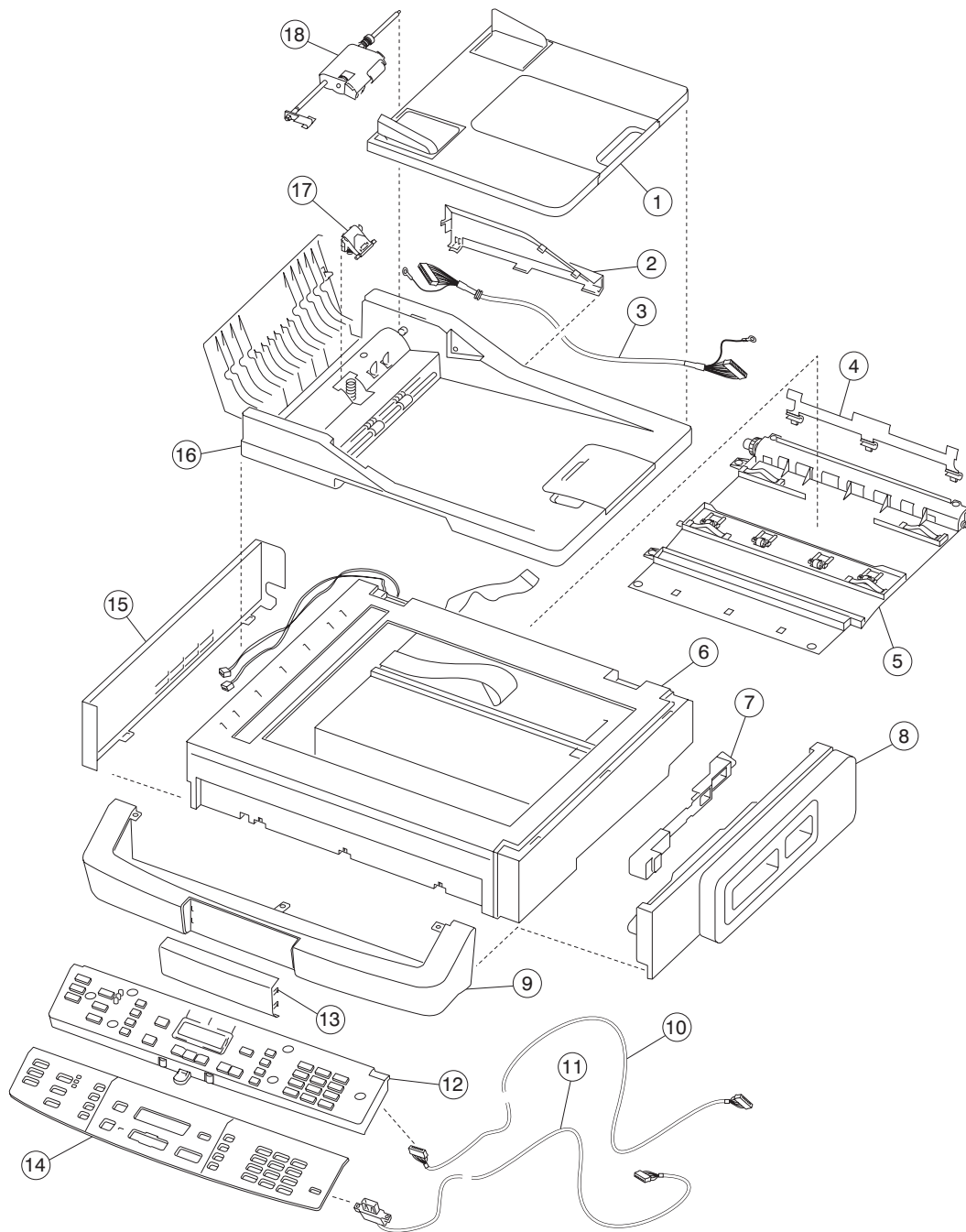
# Assembly 1: Covers



**Assembly 1: Covers**

<b>Asm-index</b>	<b>Part number</b>	<b>Units/mach</b>	<b>Units/FRU</b>	<b>Description</b>
1-1	40X5484	1	1	Tray, Output Bin
2	40X5489	1	1	Cover, AIO Back Cable
3	40X5482	1	1	Assembly, Top Cover
4	40X5537	1	1	Link, AIO
5	40X5534	1	1	Cover, AIO Toner
6	40X5486	1	1	Cover, Right AIO
7	40X5419	1	1	Tray Asm, 250 sheet
8	40X5168	2	2	Pick tires
9	40X5538	1	1	Cover, Front
10	40X5490	1	1	Cover, Front Middle
11	40X5417	1	1	Cover, Left
NS	40X5434	1	1	Drawer, 650-sheet
NS	40X5435	1	1	Tray Asm, 650-sheet
NS	40X5441	1	1	Cover, Legal extender

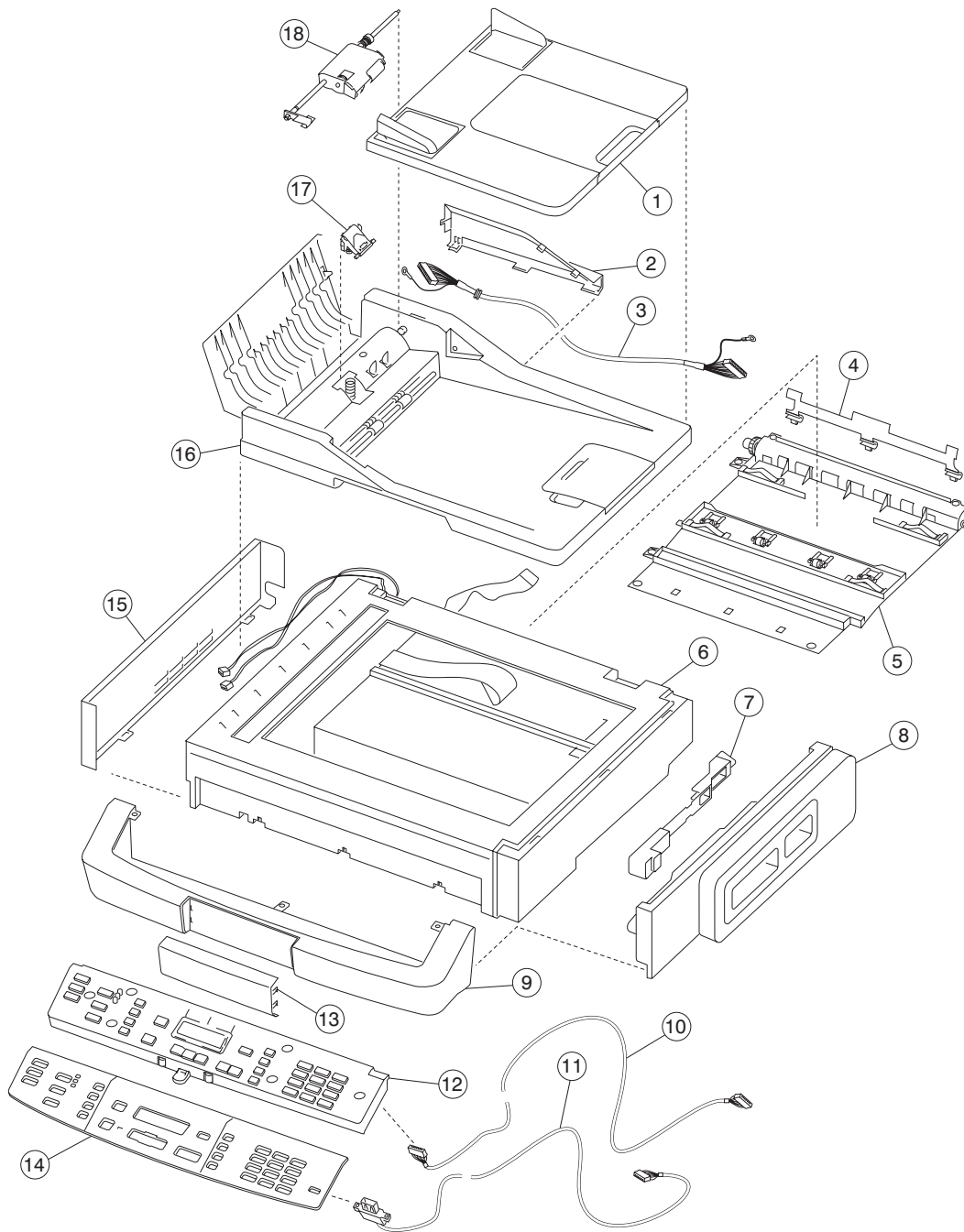
## Assembly 2: Scanner



**Assembly 2: Scanner**

Asm-index	Part number	Units/mach	Units/FRU	Description
2-1	40X5470	1	1	Tray, ADF input
2	40X5477	1	1	Cover, ADF rear simplex
2	40X5478	1	1	Cover, ADF rear duplex
3	40X5479	1	1	Cable, ADF
4	40X5872	1	1	Bin full flag
6	40X5467	1	1	Asm, Flatbed
5	40X5492	1	1	Asm, redrive
7	40X5536	1	1	Lever, AIO release
8	40X5487			Cover, scanner right
9	40X5533			Cover, bezel
10	40X5481			Cable, Op panel
11	40X5480			Cable, USB (for thumbdrive)
12	40X5473			3-1 op panel
12	40X5474			4-1 op panel
12	40X5475			3-1 op panel DBCS
12	40X5476			4-1 op panel DBCS
13	40X5491			Cover, Logo
14	40X5493			Bezel, op panel 4-1 (English)
14	40X5494			Bezel, op panel 3-1 (English)
14	40X5495			Bezel, op panel 4-1 (French)
14	40X5496			Bezel, op panel 3-1 (French)
14	40X5497			Bezel, op panel 4-1 (Spanish)
14	40X5498			Bezel, op panel 3-1 (Spanish)
14	40X5499			Bezel, op panel 4-1 (German)
14	40X5500			Bezel, op panel 3-1 (German)
14	40X5519			Bezel, op panel 4-1 (Dutch)
14	40X5520			Bezel, op panel 3-1 (Dutch)
14	40X5511			Bezel, op panel 4-1 (Danish)
14	40X5512			Bezel, op panel 3-1 (Danish)
14	40X5517			Bezel, op panel 4-1 (Swedish)
14	40X5518			Bezel, op panel 3-1(Swedish)
14	40X5515			Bezel, op panel 4-1 (Norwegian)
14	40X5516			Bezel, op panel 3-1 (Norwegian)
14	40X5513			Bezel, op panel 4-1 (Finnish)
14	40X5514			Bezel, op panel 3-1 (Finnish)
14	40X5509			Bezel, op panel 4-1 (Italian)
14	40X5510			Bezel, op panel 3-1 (Italian)
14	40X5523			Bezel, op panel 4-1 (Russian)
14	40X5524			Bezel, op panel 3-1 (Russian)
14	40X5521			Bezel, op panel 4-1 (Polish)
14	40X5522			Bezel, op panel 3-1 (Polish)

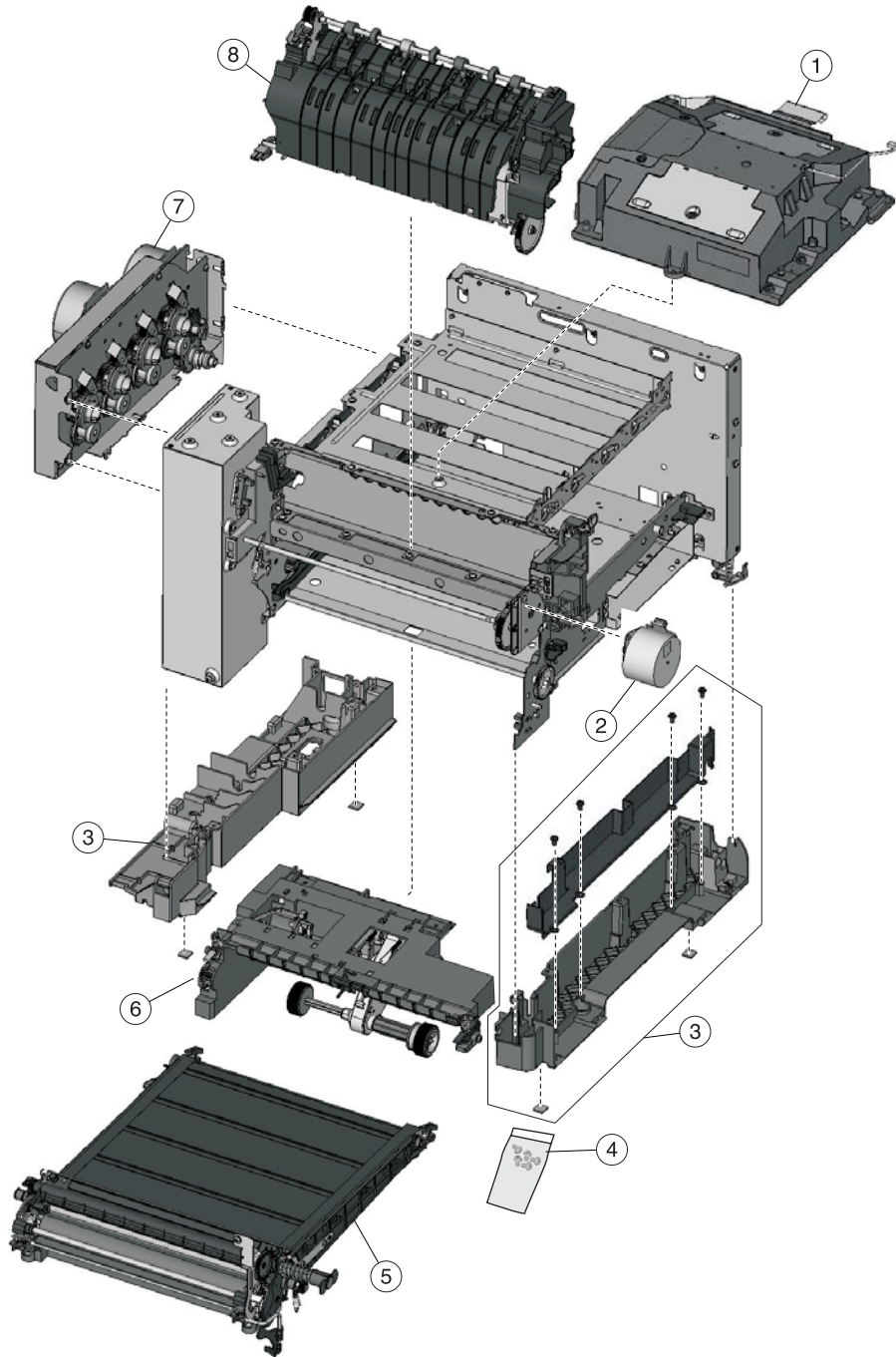
### Assembly 2 (continued): Scanner



**Assembly 2 (continued): Scanner**

Asm-index	Part number	Units/mach	Units/FRU	Description
14	40X5525	1	1	Bezel, op panel 4-1 (Czech)
14	40X5526	1	1	Bezel, op panel 3-1 (Czech)
14	40X5529	1	1	Bezel, op panel 4-1 (Hungarian)
14	40X5530	1	1	Bezel, op panel 3-1 (Hungarian)
14	40X5505	1	1	Bezel, op panel 4-1 (Simplified Chinese)
14	40X5506	1	1	Bezel, op panel 3-1 (Simplified Chinese)
14	40X5507	1	1	Bezel, op panel 4-1 (Traditional Chinese)
14	40X5508	1	1	Bezel, op panel 3-1 (Traditional Chinese)
14	40X5531	1	1	Bezel, op panel 4-1 (Korean)
14	40X5532	1	1	Bezel, op panel 3-1 (Korean)
14	40X5501	1	1	Bezel, op panel 4-1 (Braz Por)
14	40X5502	1	1	Bezel, op panel 3-1 (Braz Por)
14	40X5503	1	1	Bezel, op panel 4-1 (Japanese)
14	40X5504	1	1	Bezel, op panel 3-1 (Japanese)
14	40X5527	1	1	Bezel, op panel 4-1 (Turkish)
14	40X5528	1	1	Bezel, op panel 3-1 (Turkish)
15	40X5488	1	1	Cover, scanner left
16	40X5468	1	1	Asm, Duplex ADF
16	40X5469	1	1	Asm, Simplex ADF
17	40X5472	1	1	Asm, Separator pad
18	40X5471	1	1	Asm. Separator roll
NS	40X5539	1	1	Cushion, L flatbed
NS	40X5535	1	1	Cushion, H flatbed

### Assembly 3: Paperpath

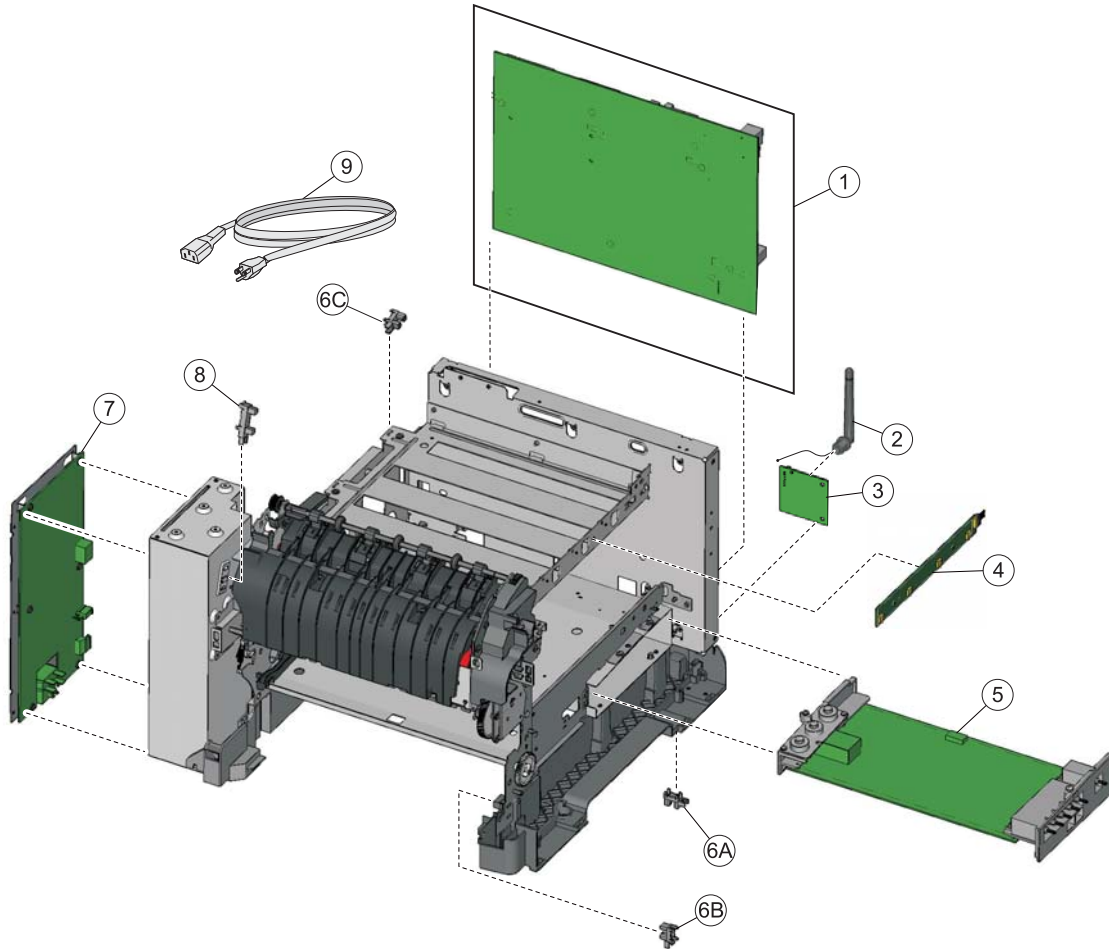




**Assembly 3: Paperpath**

Asm-index	Part number	Units/mach	Units/FRU	Description
3-1	40X5411	1	1	Printhead
2	40X5415	1	1	Fuser drive motor assembly
3	40X5422	1	1	Bottom left and right frame and cable cover
4	40X5424	1	1	Screw packet, miscellaneous screws <ul style="list-style-type: none"> <li>• TAPTITE M3 L6 PANHD(4)</li> <li>• Tray Bias (2)</li> <li>• Fuser Latch (2)</li> <li>• ITU Front Hold Down (1)</li> <li>• Front Cover Latch Spring (2)</li> <li>• M3 x 6 Pan Head (2)</li> <li>• M3 x 6 Shoulder (1)</li> <li>• M3.5 X 5 Flat Head Plastite (1)</li> <li>• METAL ROLN M3.5 8L (2)</li> <li>• PLAST ROLN 2.9 8L (2)</li> <li>• PLAST ROLN 3.5 6L (4)</li> </ul>
5	40X5403	1	1	Image transfer unit (ITU) assembly
6	40X5410	1	1	(ACM) Paper pick motor drive assembly
7	40X5412	1	1	Main drive gear assembly, with motors
8	40X5406	1	1	Fuser assembly, 110 V
8	40X5407	1	1	Fuser assembly, 220 V
8	40X5408	1	1	Fuser assembly 100 V

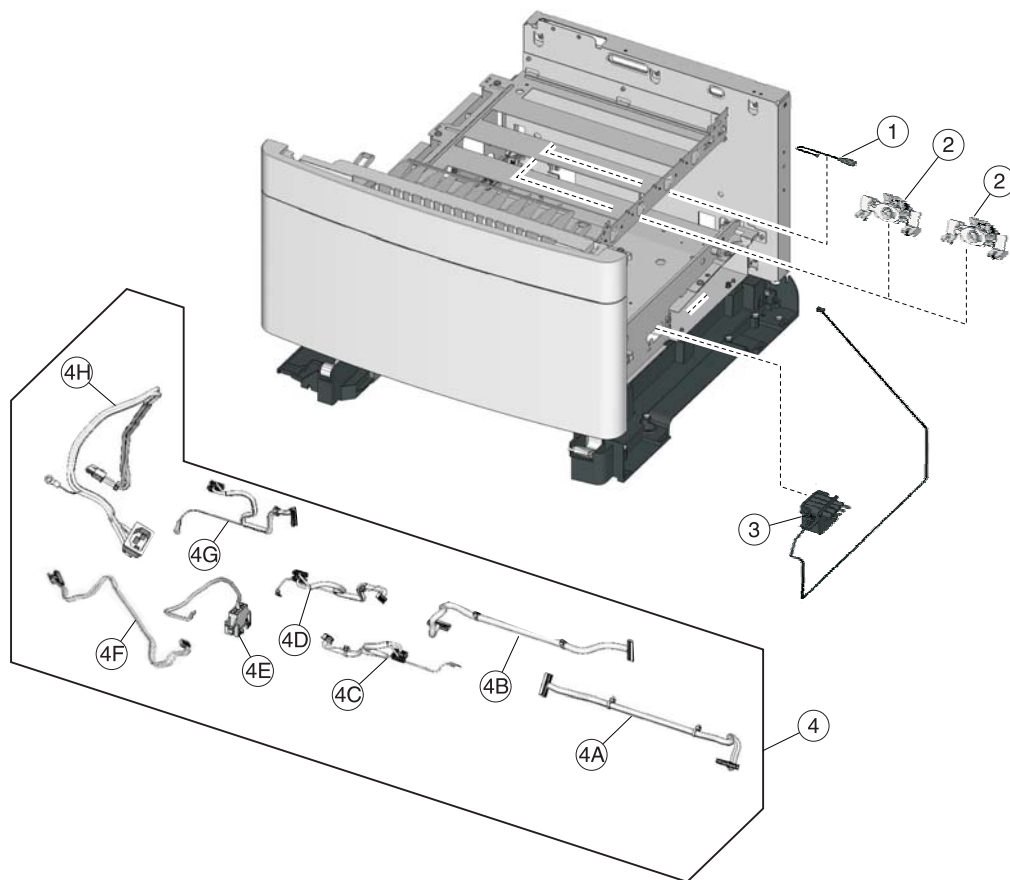
# Assembly 4: Electronics 1



**Assembly 4: Electronics 1**

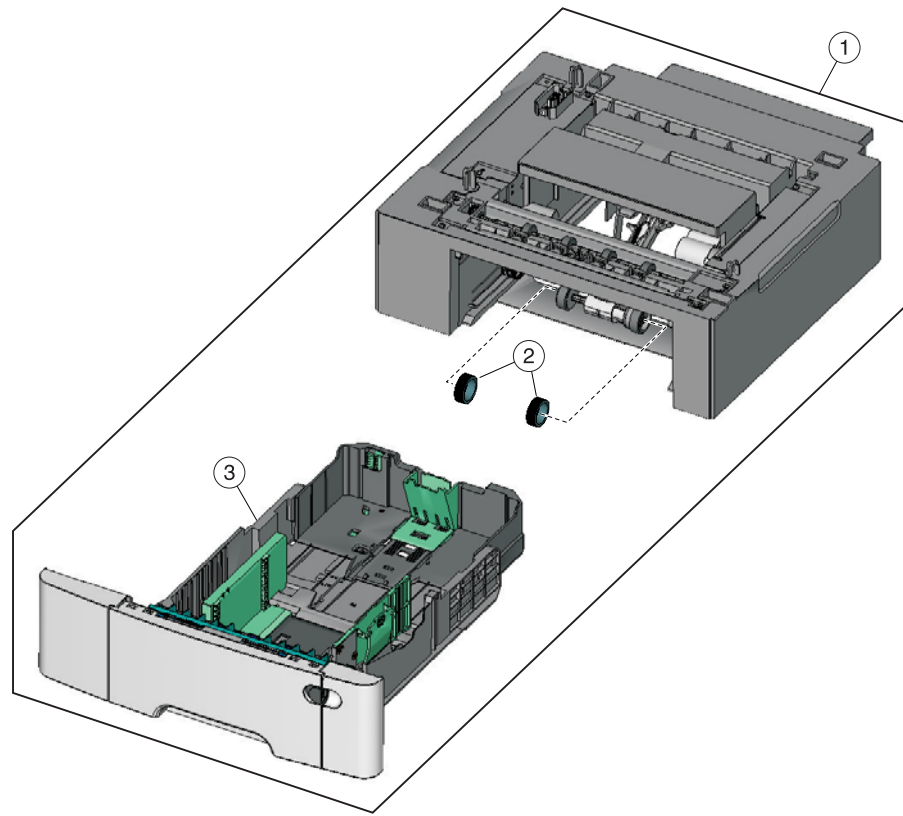
Asm-index	Part number	Units/ option	Units/ FRU	Description
4-1	40X5466	1	1	Controller board,,4-1
1	40X5465	1	1	Controller board, 3-1
2	40X5319	1	1	Wireless antenna
3	40X5036	1	1	Wireless card assembly
4	40X5404	1	1	Toner meter cycle card assembly
5	40X5405	1	1	High-voltage power supply
6	40X5426	3	1	Photo sensor (one per package) used for A Tray present B Interlock C Exit bin
7	40X5409	1	1	Low-voltage power supply (universal power supply)
8	40X5413	1	1	Fuser exit sensor
9	40X0289	1	1	Power cord, 1.8M (straight)—USA, Canada
9	40X0278	1	1	Power cord, 6 foot (straight)—Europe and others
9	40X0288	1	1	Power cord, 8 foot (straight)—Argentina
9	40X0271	1	1	Power cord, 8 foot (straight)—United Kingdom
9	40X0275	1	1	Power cord, 6 foot (straight)—Israel
9	40X0274	1	1	Power cord, 6 foot (straight)—Switzerland
9	40X0276	1	1	Power cord, 6 foot (straight)—South Africa
9	40X0287	1	1	Power cord, 6 foot (straight)—Traditional Italy
9	40X0279	1	1	Power cord, 6 foot (straight)—Denmark
9	40X0277	1	1	Power cord, 6 foot (straight)—Brazil
9	40X0282	1	1	Power cord, 1.8M (straight)—PRC
9	40X0270	1	1	Power cord, 2.5M (straight)—Japan
9	40X0280	1	1	Power cord, 1.8M (straight)—Korea
9	40X0281	1	1	Power cord, 1.8M (straight)—Taiwan
9	40X0296	1	1	Power cord, 1.8M (straight)—Australia
NS	40X5485	1	1	Fax interface cable
NS	40X4820	1	1	Fax PCBA

## Assembly 5: Electronics 2



Asm-index	Part number	Units/ option	Units/ FRU	Description
5-1	40X5429	1	1	ITU paper path thermistor
2	40X5414	2	1	Toner density sensors, left or right (one in package)
3	40X5421	1	1	Imaging unit contact (Pogo pin)
4	40X5423	1	1	Cable packet, used for: A AC power in B Low-voltage power supply C High-voltage power supply D Fuser / S1 E CMY / K motors F Option tray G Fuser exit / narrow media / bin full H Wire tie - 1.0mm I Tray present cable

## Assembly 6: Options



Asm-Index	Part number	Units/opt.	Units/FRU	Description
5—1	40X5434	1	1	Optional 650-sheet Duo Drawer unit (complete)
2	40X5168	2	2	Pick tires
3	40X5435	1	1	650-sheet Duo Drawer tray assembly
NS	40X5937	1	1	128MB DDR DRAM DIMM card assembly
NS	40X5938	1	1	256MB DDR DRAM DIMM card assembly
NS	40X5939	1	1	512MB DDR DRAM DIMM card assembly
NS	40X1455	1	1	64MB Flash card assembly
NS	40X5969	1	1	Korean font card assembly
NS	40X5970	1	1	Simplified Chinese font card assembly
NS	40X5971	1	1	Traditional Chinese font card assembly
NS	40X5972	1	1	Japanese font card assembly
NS	40X1638	1	1	USB cable, packaged (2 m)
NS		1	1	Field relocation package assembly



# Index

## Numerics

- 1xx service errors **2-14–2-19**
- 1xx, 8xx, 9xx error codes **2-14**
- 2xx paper jam
  - messages ??–**2-12**
- 2xx paper jam messages
  - locations **3-40**
- 2xx error messages **2-12**
- 650 sheet duo drawer
  - parts catalog **7-13**
- 650 sheet option tray
  - parts catalog **7-13**
- 650-sheet duo drawer
  - description **1-2**
- 840.xx service check **2-63**
- 8xx error codes **2-19**
- 9xx error codes **2-21**

## A

- ACM paper pick assembly
  - parts catalog **7-8**
- acoustics **1-7**
- acronyms **1-20**
- ADF cable
  - removal **4-65**
- ADF cover closed sensor test **3-27**
- ADF cover open service check **2-67**
- ADF duplex service check **2-69**
- ADF edge erase **3-34**
- ADF feed errors service check **2-69**
- ADF input tray
  - removal **4-64**
- ADF manual registration **3-35**
- ADF paper jam service check **2-68**
- ADF paper present sensor test **3-26**
- ADF separator pad
  - removal **4-65**
- ADF separator roll
  - removal **4-67**
- ADF streak service check **2-67**
- ADF units
  - parts catalog **7-4**
- AIO link
  - removal **4-74**
- AIO release lever
  - removal **4-73**
- AIO toner cover
  - removal **4-75**
- alignment **3-7**
- antenna, wireless network
  - removal **4-50**
- attendance messages **2-6**
- Auto Color Adj **3-34**
- autocompensator mechanism (ACM)

- service checks **2-32, 2-35**

## B

- bezel cover
  - removal **4-68**
- bin full sensor
  - service check **2-36**
- bin full sensor removal **4-15**
- Button Test **3-13**

## C

- cable packet
    - parts catalog **7-12**
  - CACHE Test **3-14**
  - CCD service check **2-65**
  - clearances, printer **1-5**
  - color trapping **3-31**
  - Config Menu
    - description **3-1**
  - configuration menu **3-31**
    - ADF edge erase **3-34**
    - Auto Color Adj **3-34**
    - available tests **3-31**
    - color trapping **3-31**
    - Demo Mode **3-33**
    - disable scanner **3-36**
    - Energy Conserve **3-33**
    - Event Log **3-32**
    - Exit Config Menu **3-37**
    - Factory Defaults **3-33**
    - FB edge erase **3-35**
    - font sharpening **3-37**
    - format fax storage **3-34**
    - min copy memory **3-34**
    - Panel Menus **3-32**
    - pel blurring **3-37**
    - PPDS Emulation **3-32**
    - Prt Quality Pages **3-31**
    - prt quality pages **3-31**
    - Reports
      - Menu Settings Page **3-32**
    - reports **3-32**
      - menu settings page **3-32**
    - scanner manual registration **3-35**
    - USB scan to local **3-31**
  - Controller board
    - parts catalog **7-10**
  - controller board
    - removal **4-16**
  - covers
    - removals **4-4**
- ## D
- data streams **1-4**
  - dead printer service check **2-37**

- defaults
  - factory defaults **3-33**
- Demo Mode **3-33**
- developer unit
  - removal **4-30**
- diagnostics
  - 2xx paper jam message table **2-12**
  - paper jam messages **2-12**
  - service error codes **2-14**
  - user attendance message table **2-6**
- diagnostics menu
  - Alignment Menu **3-7**
  - available tests **3-2**
  - Base Sensor Test **3-18**
  - Base Sensor Tests
    - C TMC Sensor **3-18**
    - Fuser Exit **3-18**
    - Input **3-18**
    - K TMC Sensor **3-18**
    - M TMC Sensor **3-18**
    - S1 **3-18**
    - S2 **3-18**
    - Standard Bin **3-18**
    - Y TMC Sensor **3-18**
  - Device Tests
    - Flash Test **3-18**
  - device tests **3-18**
  - Duplex Tests
    - Quick Test **3-15**
    - Top Margin **3-16**
  - Duplex tests
    - left margin **3-15**
    - sensor test **3-16**
  - Event Log
    - Clear Log **3-24**
  - exit diagnostics **3-30**
  - Hardware Tests
    - Button Test **3-13**
    - CACHE Test **3-14**
    - DRAM Test **3-13**
    - Panel Test **3-13**
  - image transfer unit (ITU) **3-20**
  - Input Tray tests
    - feed tests **3-17**
    - sensor test **3-17**
  - ITU Barcode **3-20**
  - miscellaneous tests **3-10**
  - motor detect **3-10**
  - Print Tests
    - input source tests **3-11**
    - Prt Quality Pgs **3-11**
  - print tests **3-11**
  - Printer Setup
    - configuration ID **3-19**
    - defaults **3-19**
    - engine setting 1 through 4 **3-19**
    - model name **3-19**
    - page counts **3-19**
    - serial number **3-19**
  - printer setup **3-19**
  - REGISTRATION
    - Bottom Margin **3-4**
    - Left Margin **3-4**
    - Right Margin **3-5**
    - Top Margin **3-4**
  - registration **3-4**
  - Scanner Tests
    - ASIC test **3-25**
  - Scanner Tests
    - sensor test **3-25**
      - ADF cover closed sensor test **3-27**
      - ADF paper present sensor test **3-26**
      - FB Cover closing sensor test **3-27**
      - home sensor test **3-27**
      - sensor 1 test **3-28**
      - sensor 2 test **3-29**
  - Scanner tests
    - feed test **3-25**
  - TPS Setup
    - Cal Ref Adj **3-22**
  - Diagnostics Mode
    - description **3-1**
  - diagram, menu **2-78**
  - digital imaging specifications **1-16**
  - dimensions **1-5**
  - disable scanner **3-36**
  - DRAM Test **3-13**
  - duplex
    - duplex sensor **2-38**
    - models **1-8**
    - Quick Test **3-15**
    - Top Margin **3-16**
  - duplex ADF rear cover
    - removal **4-62**
  - duplex ADF unit
    - removal **4-63**
  - duplex sensor
    - removal **4-17**
- E**
  - emoval **4-4**
  - Energy Conserve **3-33**
  - error codes
    - 2xx paper jams **2-12**
    - fax **2-21**
    - fax error log **2-28**
  - Error codes and messages **2-6**
  - ESD-sensitive parts **4-1**
  - event log
    - configuration menu **3-32**
  - Exit config menu **3-37**
- F**
  - Factory Defaults **3-33**
  - factory defaults **3-33**
  - fax card
    - removal **4-80**
  - fax interface cable
    - removal **4-80**



fax reception service check **2-73**  
 fax specifications **1-18**  
     miscellaneous **1-18**  
     phone network connectivity **1-18**  
     scan resolutions **1-18**  
 fax transmission service check **2-71**  
 FB cover closing sensor test **3-27**  
 FB edge erase **3-35**  
 Flash Test **3-18**  
 flatbed  
     removal **4-53**  
 flatbed home position service check **2-66**  
 Flatbed home sensor test **3-27**  
 flatbed motor service check **2-65**  
 flatbed unit  
     parts catalog **7-4**  
 font cards  
     parts catalog **7-13**  
 Font sharpening **3-37**  
 format fax storage **3-34**  
 frame, lower  
     left removal **4-33**  
     right removal **4-33, 4-35**  
 front door sensor service check **2-39**  
 fuser  
     removal **4-19**  
 fuser assembly  
     parts catalog **7-8**  
     service check **2-32, 2-41**  
 fuser drive motor  
     parts catalog **7-8**  
 fuser drive motor assembly  
     removal **4-22**  
 fuser exit sensor  
     removal **4-23**  
     service check **2-40**  
 fuser exit sensor service check **2-40**

## H

High voltage power supply  
     parts catalog **7-10**  
     removal **4-24**

## I

image transfer unit  
     removal **4-25**  
 image transfer unit (ITU)  
     ITU Barcode **3-20**  
 imaging unit (IU)  
     removal **4-28**  
 Imaging unit contact  
     parts catalog **7-12**  
 imaging unit contacts  
     removals **4-43**  
 ITU  
     parts catalog **7-8**

## J

jam locations **3-40**

## L

LCD operator panel **4-76**  
 left scanner cover  
     removal **4-70**  
 lithium battery **ii-xvii**  
 logo cover  
     removal **4-79**  
 low volatage power supply  
     removal **4-31**  
 Low voltage power supply  
     parts catalog **7-10**  
 lower left and right frame covers  
     parts catalog **7-8**  
 lubrication specifications **6-1**

## M

Main drive gear assembly w/motors  
     parts catalog **7-8**  
 main drive gear assembly with motors  
     removal **4-39**  
 manually register a duplex ADF **3-35**  
 manually register the flatbed **3-36**  
 media  
     guidelines **1-13**  
     input size **1-9**  
     input sources **1-8**  
     input type **1-10**  
     output **1-8**  
     output size and type **1-11**  
     recycled **1-14**  
     unacceptable media **1-13**  
     weights **1-12**  
 media jams **3-39**  
 memory **1-2**  
     parts catalog **7-13**  
 memu settings page **3-32**  
 menu (users), map **2-78**  
 menus  
     diagram **2-78**  
     Menu Settings Page **3-32**  
 messages, attendance **2-6**  
 min copy memory **3-34**  
 miscellaneous tests **3-10**  
 models **1-1**  
 modem - fax card service check **2-70**  
 motor detect test **3-10**  
 moval **4-7**

## N

new flatbed installation **4-59**

## O

Op panel bezel  
     removal **4-78**  
 Op panel cable  
     removal **4-79**  
 operating modes **1-4**  
 Operator panel  
     removal **4-76**  
 operator panel

- display is dim **2-47**
- service check **2-44**
  - blank, printer beeps 5 times and pauses **2-45**
  - diamonds, 5 beeps **2-46**
  - diamonds, no beeps **2-46**
  - display blank, 5 beeps **2-44**
  - one or more buttons fail **2-44**
- operator panels
  - parts catalog **7-4**
- options and features
  - description **1-2**
- output bin tray
  - removal **4-81**

## P

- Panel Menus **3-32**
- Panel Test **3-13**
- paper
  - guidelines **1-13**
  - input size **1-9**
  - input sources **1-8**
  - input type **1-10**
  - output capacity **1-11**
  - recycled **1-14**
  - unacceptable paper **1-13**
  - weights **1-12**
- Paper jams **3-39**
- paper jams
  - avoiding **3-39**
- Paper path thermistor
  - parts catalog **7-12**
- paper sizes supported **1-9**
- parts catalog
  - covers **7-2**
  - scanner **7-4, 7-6**
- password, panel menus **3-32**
- pel blurring **3-37**
- pick tires-integrated 250 sheet media tray
  - removal **4-41**
- POR sequence **2-2**
- Power cords
  - parts catalog **7-10**
- power-on sequence (POR) **2-2**
- PPDS Emulation **3-32**
- preparing the new flatbed for installation **4-59**
- print quality
  - background **2-51**
  - blank page **2-52**
  - blurred or fuzzy print **2-54**
  - half-color page **2-54**
  - horizontal banding **2-54**
  - horizontal line **2-55**
  - insufficient fusing **2-55**
  - missing image at edge **2-55**
  - mottle (2 - 5mm speckles) **2-55**
  - narrow vertical line **2-56**
  - random marks **2-56**
  - residual image **2-57**
  - solid color page **2-58**
  - vertical banding **2-58**

- print quality symptoms **2-5**
- print tests **3-11**
- printer registration **3-4**
- printhead
  - parts catalog **7-8**
  - removal **4-42**
  - service check **2-34**
- Prt Quality Pgs
  - configuration menu **3-31**
  - diagnostic menu **3-11**

## Q

- Quick Test (duplex) **3-15**
- quick test page **3-6**

## R

- rature **2-32**
- rear shield **4-7**
- redrive unit
  - removal **4-69**
- redrive unit
  - parts catalog **7-4**
- registration
  - printer **3-4**
  - quick test **3-6**
  - skew **3-5**
- removal **4-7**
- removals
  - ADF cable **4-65**
  - ADF input tray **4-64**
  - ADF separator pad **4-65**
  - ADF separator roll **4-67**
  - AIO link **4-74**
  - AIO release lever **4-73**
  - AIO toner cover **4-75**
  - auto compensator mechanism (ACM) standard tray **4-12**
  - bezel cover **4-68**
  - bin full sensor **4-15**
  - controller board **4-16**
  - covers
    - AIO back cable cover **4-8**
    - front cover assembly **4-2**
    - front middle cover assembly **4-4**
    - left cover **4-4**
    - rear shield **4-7**
    - right cover **4-7**
    - scanner left **4-70**
    - scanner right **4-71**
    - top cover **4-9**
  - developer unit **4-30**
  - duplex ADF **4-63**
  - duplex ADF rear cover **4-62**
  - duplex sensor **4-17**
  - fax card **4-80**
  - fax interface cable **4-80**
  - flatbed **4-53**
    - installing the new flatbed **4-59**
  - fuser **4-19**
  - fuser drive motor assembly **4-22**

- fuser exit sensor **4-23**
- High voltage power supply **4-24**
- image transfer unit **4-25**
- imaging unit (IU) **4-28**
- imaging unit contacts **4-43**
- left lower frame **4-33**
- left scanner cover **4-70**
- logo cover **4-79**
- low voltage power supply **4-31**
- main drive gear assembly with motors **4-39**
- op panel bezel **4-78**
- op panel cable **4-79**
- operator panel **4-76**
- output bin tray **4-81**
- pick tires-integrated 250 sheet media tray **4-41**
- printhead **4-42**
- procedures **4-2**
- redrive unit **4-69**
- right lower frame **4-35**
- right scanner cover **4-71**
- toner meter cycle card **4-45**
- toner patch sensor L&R **4-47**
- tray present sensor **4-48**
- USB connector **4-49**
- waste toner bottle **4-49**
- wireless network antenna **4-50**
- wireless network card **4-52**
- reports **3-32**
  - event log **3-32**
  - menu settings page **3-32**
  - Print Quality Pages **3-11, 3-31**
  - Quick Test (duplex) **3-15**
  - skew **3-5**
- right scanner cover
  - removal **4-71**
- S**
- S1 sensor **2-38**
- safety information **ii-xvii**
- safety inspection guide **6-1**
- scan and copy specifications **1-17**
- scan fax and copy symptoms **2-4**
- Scanner ASIC test **3-25**
- scanner covers
  - parts catalog **7-4**
- Scanner manual registration **3-35**
- SE Menu **3-38**
- sensor 2 test **3-29**
- Sensor test **3-28**
- sensors
  - bin full
    - Base Sensor Test (standard bin) **3-18**
  - duplex
    - service check **2-38**
  - front door
    - service check **2-39**
  - fuser exit
    - Base Sensor Test **3-18**
    - service check **2-40**
  - input
    - Base Sensor Test **3-18**
    - service check **2-42**
  - parts catalog **7-10**
  - S1
    - Base Sensor Tests **3-18**
    - service check **2-38**
  - S2
    - Base Sensor Tests **3-18**
    - service check **2-42**
  - toner meter cycle
    - Base Sensor Tests **3-18**
  - tray present
    - removal **4-48**
  - service checks
    - 90x.xx error **2-32**
    - 920.xx–923.xx—fuser temperature incorrect **2-32**
    - 925.01—fan error **2-33**
    - 930.xx–935.xx—printhead errors **2-34**
    - 936.xx, 937.xx—transport motor **2-34**
    - 950.xx EPROM mismatch failure **2-35**
    - ADF paperfeed **2-68**
    - ADF streak **2-67**
    - autocompensator mechanism **2-32, 2-35**
    - bin full sensor **2-36**
    - black page **2-65**
    - dead printer **2-37**
    - duplex/manual feed sensor (S1) **2-38**
    - flatbed **2-66**
    - flatbed motor **2-65**
    - front door sensor or switches **2-39**
    - fuser **2-41**
    - fuser exit sensor **2-40**
    - fuser temperature incorrect **2-32**
    - input sensor (S2) **2-42**
    - main drive gear assembly **2-43**
    - modem / fax card **2-70**
    - networking **2-48**
    - op panel USB cable **2-47**
    - operator panel **2-44**
    - print quality **2-50**
    - scanner, fax, copy **2-63**
      - 840xx error check **2-63**
      - ADF cover open **2-67**
      - ADF duplex service check **2-69**
      - ADF feed errors **2-69**
      - ADF paper am **2-68**
      - black page or blank page **2-65**
      - CCD service check **2-65**
      - escalating a fax issue to second-level support **2-75**
      - fax reception service check **2-73**
      - fax transmission service check **2-71**
      - flatbed home position **2-66**
      - flatbed motor **2-65**
      - modem service check **2-70**
      - transport motor service check **2-34**
    - USB **2-47**
  - service error codes **2-14**
  - simplex ADF rear cover
    - removal **4-64**

- simplex ADFunit
  - removal **4-64**
- specifications
  - acoustics **1-7**
  - clearances **1-5**
  - connectivity (network) **1-3**
  - data streams **1-4**
  - digital imaging **1-16**
  - dimensions **1-5**
  - duplex capability **1-8**
  - environmental **1-7**
  - fax **1-18**
  - media input size **1-9**
  - memory **1-2**
  - operating modes **1-4**
  - print quality **1-3**
  - scan and copy **1-17**
- specifications power and electrical **1-6**
- symptom tables **2-3**
- symptoms
  - print quality **2-5**
  - printer **2-3**
  - scan fax and copy **2-4**

## T

- test pages
  - print quality test pages **3-11, 3-31**
  - Quick Test (duplex) **3-15**
- theory
  - color theory **3-60**
- theory of operations
  - color theory **3-60**
- Toner density sensors
  - parts catalog **7-12**
- Toner meter card assembly
  - parts catalog **7-10**
- toner meter cycle (TMC) card
  - Base Sensor Tests **3-18**
- toner meter cycle card
  - removal **4-45**
- toner patch sensor L&R
  - removal **4-47**
- tools required **1-19**

## U

- USB connector
  - removal **4-49**
- USB scan to local **3-31**

## W

- waste toner bottle
  - removal **4-49**
- Wireless card
  - parts catalog **7-10**
- wireless network antenna
  - removal **4-50**
- wireless network card
  - removal **4-52**

## Part number index

P/N	Description	Page
	100V fuser assembly(40X5408) -----	7-9
	110V fuser assembly(40X5406) -----	7-9
	128MB DDR DRAM DIMM card assembly (40X5937) -----	7-13
	220V fuser assembly(40X5407) -----	7-9
	250-sheet tray assembly (40X5419) -----	7-3
	256MB DDR DRAM DIMM card assembly (40X5938) -----	7-13
	3-1 op panel DBCS (40X5475) -----	7-5
	3-1 op panel(40X5473) -----	7-5
40X0270	Power cord, 1.77M (straight)—Japan -----	7-11
40X0271	Power cord, 6 foot—United Kingdom -----	7-11
40X0274	Power cord, 6 foot—Switzerland -----	7-11
40X0275	Power cord, 6 foot (straight)—Israel -----	7-11
40X0276	Power cord, 6 foot—South Africa -----	7-11
40X0277	Power cord, 6 foot (straight)—Brazil -----	7-11
40X0278	Power cord, 6 foot (straight)—Europe and others -----	7-11
40X0279	Power cord, 6 foot (straight)—Denmark -----	7-11
40X0280	Power cord, 1.77M (straight)—Korea -----	7-11
40X0281	Power cord, 1.77M (straight)—Taiwan -----	7-11
40X0282	Power cord, 1.77M (straight)—PRC -----	7-11
40X0287	Power cord, 6 foot (straight)—Traditional Italy -----	7-11
40X0288	Power cord, 6 foot—Argentina -----	7-11
40X0289	Power cord, 1.77M (straight)—USA, Canada -----	7-11
40X0296	Power cord, 1.8M (straight)—Australia -----	7-11
	4-1 controller board(40X5466) -----	7-11
	4-1 op panel (40X5474) -----	7-5
	4-1 op panel DBCS (40X5476) -----	7-5
	512MB DDR DRAM DIMM card assembly (40X5939) -----	7-13
	64MB Flash card assembly (40X1455) -----	7-13
	650-sheet drawer assembly (40X5434) -----	7-3
	650-sheet duo drawer tray assembly (40X5435) -----	7-13
	650-sheet tray assembly (40X5435) -----	7-3
<b>A</b>		
	ACM paper pick motor assembly(40X5410) -----	7-9
	ADF cable(40X5479) -----	7-5
	ADF input tray(40X5470) -----	7-5
	ADF rear duplex cover (40X5478) -----	7-5
	ADF rear simplex cover (40X5477) -----	7-5
	AIO back cable cover(40X5489) -----	7-3
	AIO Link (40X5437) -----	7-3
	AIO release lever (40X5536) -----	7-5
	AIO toner cover (40X5534) -----	7-3
<b>B</b>		
	Bezel cover (40X5536) -----	7-5
	Bin full flag(40X5872) -----	7-5
	Bottom left and right cable-frame cover(40X5422) -----	7-9
<b>C</b>		
	Cable packet(40X5423) -----	7-12
	Controller board 3-1(40X5465) -----	7-11
<b>D</b>		
	Duplex ADF assembly(40X5468) -----	7-7

**F**

Fax interface cable(40X5485) .....	7-11
Fax PCBA(40X4820) .....	7-11
Flatbed assembly (40X5467) .....	7-5
Front cover(40X5538) .....	7-3
Front middle cover (40X5409) .....	7-3
Fuser drive motor assembly(40X5414) .....	7-9
Fuser exit sensor(40X5413) .....	7-11

**H**

H flatbed cushion(40X5539) .....	7-7
High voltage power supply(40X5405) .....	7-11

**I**

Image transfer unit-ITU-assembly(40X5403) .....	7-9
Imaging contact unit(40X5421) .....	7-12
ITU paperpath thermistor(40X5429) .....	7-12

**J**

Japanese font card assembly (40X5972) .....	7-13
---	------

**K**

Korean font card assembly (40X5969) .....	7-13
---	------

**L**

L flatbed cushion(40X5539) .....	7-7
Left cover(40X5417) .....	7-3
Left scanner cover(40X5488) .....	7-7
Legal extender cover (40X5441) .....	7-3
Logo cover (40X5491) .....	7-5
Low voltage power supply(40X5409) .....	7-11

**M**

Main drive gear assembly w/motors(40X5412) .....	7-9
--	-----

**O**

Op panel bezel 3-1 Braz Por(40X5502) .....	7-7
Op panel bezel 3-1 Czech(40X5526) .....	7-7
Op panel bezel 3-1 Dansh(40X5412) .....	7-5
Op panel bezel 3-1 Dutch(40X5520) .....	7-5
Op panel bezel 3-1 English(40X5494) .....	7-5
Op panel bezel 3-1 English(40X5518) .....	7-5
Op panel bezel 3-1 Finnish(40X5514) .....	7-5
Op panel bezel 3-1 French(40X5496) .....	7-5
Op panel bezel 3-1 German(40X5500) .....	7-5
Op panel bezel 3-1 Hungarian(40X5530) .....	7-7
Op panel bezel 3-1 Italian(40X5510) .....	7-5
Op panel bezel 3-1 Japanese(40X5504) .....	7-7
Op panel bezel 3-1 Korean(40X5532) .....	7-7
Op panel bezel 3-1 Norwegian(40X5516) .....	7-5
Op panel bezel 3-1 Polish(40X5522) .....	7-5
Op panel bezel 3-1 Russian(40X5524) .....	7-5
Op panel bezel 3-1 Simplified(40X5506) .....	7-7
Op panel bezel 3-1 Spanish(40X5498) .....	7-5
Op panel bezel 3-1 Traditional Chinese(40X5508) .....	7-7
Op panel bezel 3-1 Turkish(40X5528) .....	7-7
Op panel bezel 4-1 Braz Por(40X5501) .....	7-7
Op panel bezel 4-1 Czech(40X5525) .....	7-7
Op panel bezel 4-1 Danish(40X5511) .....	7-5
Op panel bezel 4-1 English(40X5493) .....	7-5
Op panel bezel 4-1 Finnish(40X5513) .....	7-5
Op panel bezel 4-1 French(40X5495) .....	7-5

Op panel bezel 4-1 Hungarian(40X5529) .....	7-7
Op panel bezel 4-1 Italian(40X5509) .....	7-5
Op panel bezel 4-1 Japanese(40X5503) .....	7-7
Op panel bezel 4-1 Korean(40X5531) .....	7-7
Op panel bezel 4-1 Norwegian(40X5515) .....	7-5
Op panel bezel 4-1 Polish(40X5521) .....	7-5
Op panel bezel 4-1 Simplified Chinese(40X5505) .....	7-7
Op panel bezel 4-1 Spanish(40X5497) .....	7-5
Op panel bezel 4-1 Swedish(40X5517) .....	7-5
Op panel bezel 4-1 Traditional Chinese(40X5507) .....	7-7
Op panel bezel 4-1 Turkish(40X5527) .....	7-7
Op panel bezel 4-1 Dutch(40X5519) .....	7-5
Op panel bezel 4-1 German(40X5499) .....	7-5
Op panel bezel 4-1 Russian(40X5523) .....	7-5
Op panel cable(40X5481) .....	7-5
Optional 650-sheet duo drawer unit (complete) (40X5434) .....	7-13
Output bibn tray (40X5484) .....	7-3
<b>P</b>	
Photo sensor(40X5426) .....	7-11
Pick tires (40X5168) .....	7-13
Pick tires(40X5168) .....	7-3
Printhead(40X5411) .....	7-9
<b>R</b>	
Redrive assembly (40X5492) .....	7-5
Right AIO cover (40X5486) .....	7-3
Right scanner cover (40X5487) .....	7-5
<b>S</b>	
Screw packet(40X5424) .....	7-9
Separator pad assembly(40X5472) .....	7-7
Separator roll assembly(40X5507) .....	7-7
Simplex ADF assembly(40X5469) .....	7-7
Simplified Chinese font card assembly (40X5970) .....	7-13
<b>T</b>	
Toner density sensor(40X5414) .....	7-12
Toner meter card assembly(40X5404) .....	7-11
Top cover assembly (40X5482) .....	7-3
Traditional Chinese font card assembly (40X5971) .....	7-13
<b>U</b>	
USB cable, packaged (2 m) (40X1638) .....	7-13
USB thumbdrive cable(40X5480) .....	7-5
<b>W</b>	
Wireless antenna(40X5319) .....	7-11
Wireless card assembly(40X5036) .....	7-11